

Aquovis

THE AMPHIBIOUS & SUBMERSIBLE
UNDERWATER LED LIGHT
SPECIFICATION SHEET



DATE

PROJECT

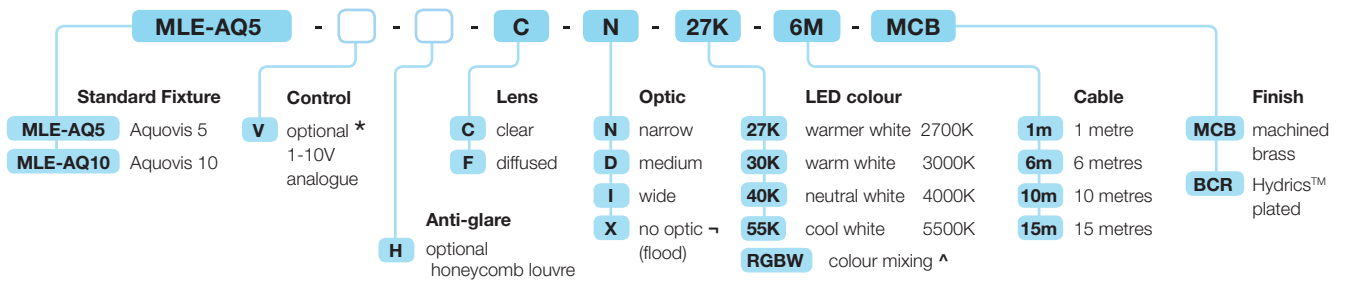
TYPE



AQ5 & AQ10

Specification Code

Select from available options to configure luminaire.



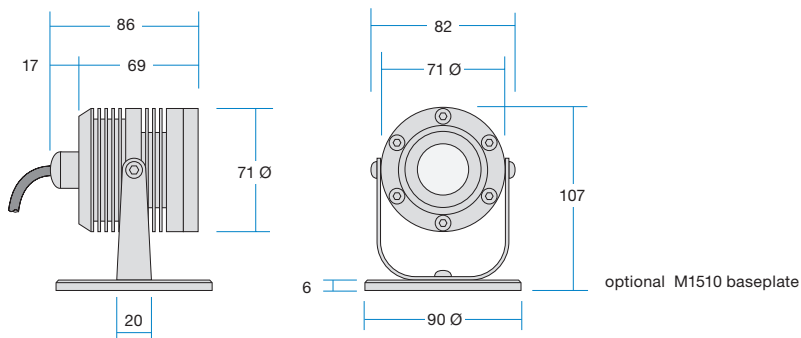
* 1-10V analogue control is optional for white LED luminaires.

^ RGBW luminaires are powered by the RGBW LED Driver, which can be controlled by DALI or DMX512.

↪ No optic may provide uneven patterns on flat surfaces.

Dimensions

All measurements are shown in mm.



AQ5 & AQ10



AQ5

AQ10

Luminaire Specifications

IP rating	Ingress Protection IP68
Materials & finish	thermally optimised DZR brass / Optional Hydrics™ plated finish
Lens	clear or diffused 6mm tempered glass
Performance	> 70% lumen maintenance at 50,000 hours (25° C)
Water temperature	Electronic thermal management protects luminaire if not submerged in water
Optic	narrow 18°, medium 30°, wide 46°, flood > 100° (no optic) offers the widest distribution
Weight	1.125 kg or 1.44 kg with optional baseplate



White Luminaire

Light source	Luxeon™ M LED available in			
	warmer white 2700K - 3000K	neutral white 4000K	cool white 5500K	
CRI	85 ~ 90	80 ~ 85	75	
Luminous intensity			up to 400 lumens	up to 750 lumens
Efficacy	lumens per watt depending on colour temperature			up to 80 up to 75
Power	total wattage including integral VDi™ driver			5W 10W
VDi™ input range (VDC)				11V ~ 55V DC 18V ~ 55V DC
Control	optional 1-10 volt analogue			
Power Supply	Optimo High Performance IP67 Power Supply Units can power the maximum number of luminaires :	MLE-OM-150W-24V	30	15
		MLE-OM-60W-24V	12	6



RGBW Luminaire

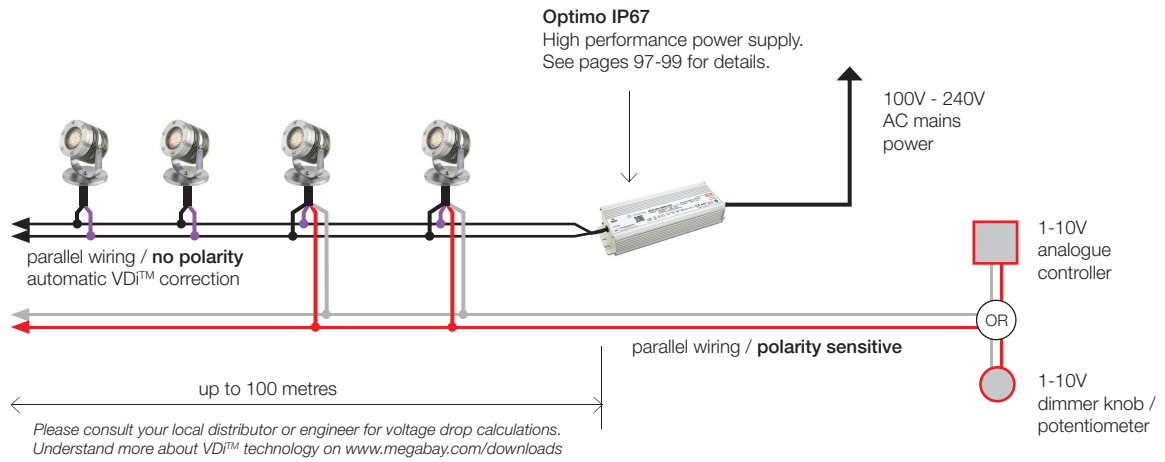
Light source	CREE™ MC-E quad chip RGBW LED			
CRI	variable depending on colour mix			
Efficacy	up to 95 lumens per watt			
Power	total wattage	4W	10W	
Control	DMX512 or DALI			
RGBW Driver	MLE-PDR can power the maximum number of luminaires	12		

Aquovis Schematic

White System Layout

Quantity of luminaires per power supply

Refer to Power Supply in the Technical Specifications table on the next page.



2 Core cable
6.5mm Ø



Black & Purple
DC voltage input

4 Core cable
6.5mm Ø



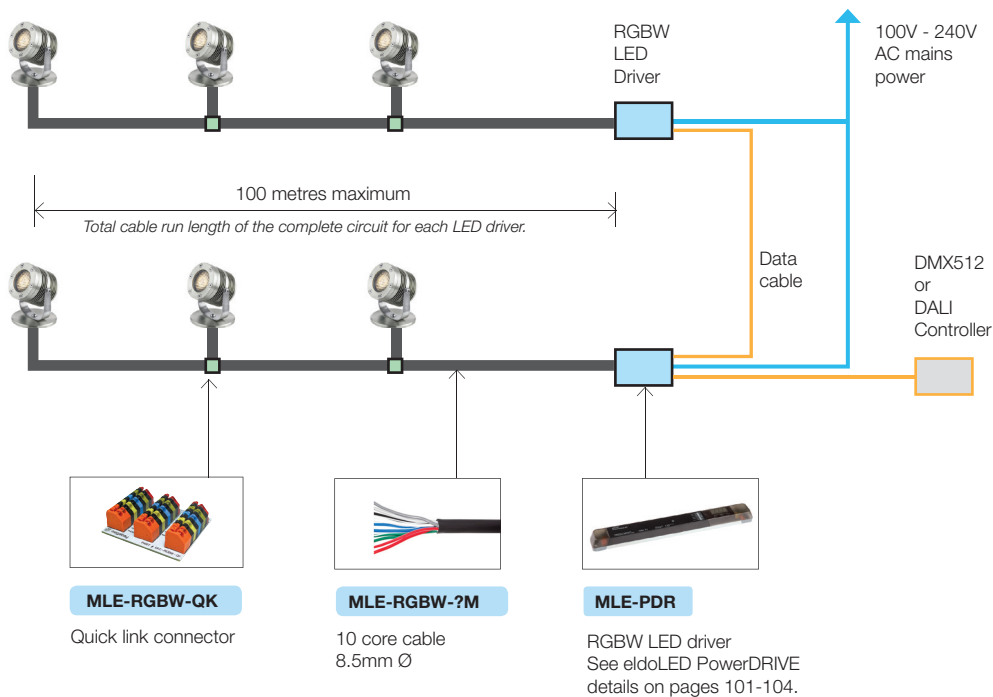
Black & Purple DC voltage input

Grey & White negative dimming input (-)
Red & White positive dimming input (+)

RGBW System Layout

Quantity of luminaires per driver



Refer to RGBW Driver in the Technical Specifications table on the next page.



Accessories



Optional baseplate & stainless steel screw

- M1510 - MCB** 
- M1510 - BCR** 



Power Supply

- MLE-OM-150W-24V** 150 watts
- MLE-OM-60W-24V** 60 watts

RGBW Accessories



Quick link connector

MLE-RGBW-QK



10 core cable

MLE-RGBW-?M



RGBW LED driver

- MLE-PDR-A**
- MLE-PDR-S**
- MLE-PDR-M**



IP66 enclosure for PDR-S

MLE-PDR-IP66



TOOLbox pro

MLE-PDR-USB