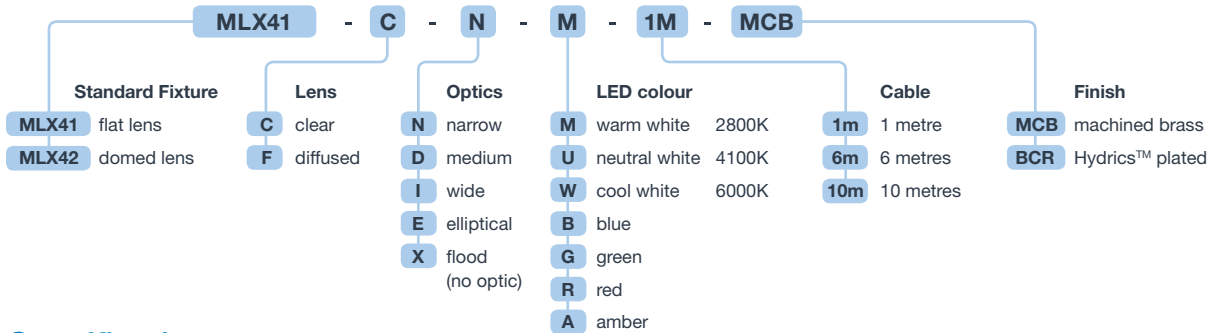


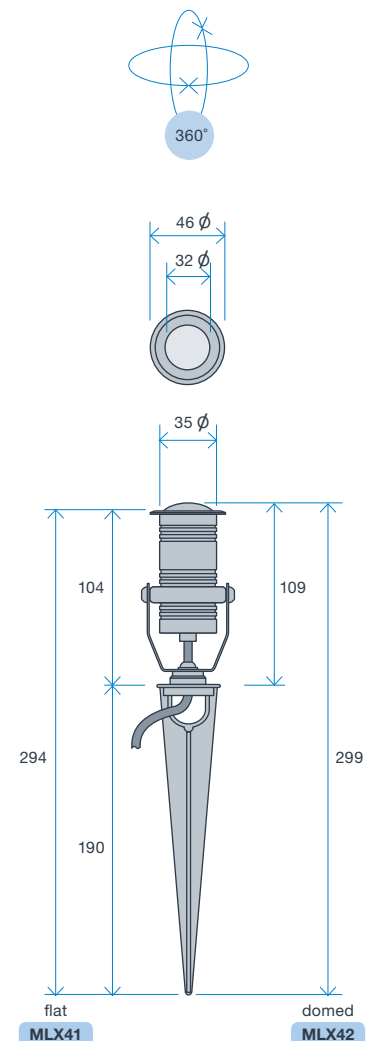
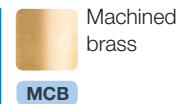
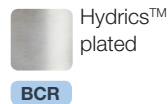
### Specification Code Example showing how to specify a Omnyx 2 luminaire.



### Specifications

<b>IP rating</b>	Ingress Protection - IP68		
<b>Materials &amp; finish</b>	thermally optimised DZR brass optional Hydrics™ plated finish		
<b>Lens</b>	clear or diffused 5mm flat tempered glass or 11mm domed tempered glass		
<b>Light source</b>	CREE™ XP LED available in blue, green, red, amber &		
	warm white 2800K	neutral white 4100K	cool white 6000K
<b>CRI</b>	85 ~ 90	80 ~ 85	75
<b>Luminous intensity</b>	up to 120 lumens. > 75% lumen maintenance at 50,000 hours IES photometric files available		
<b>Optic (FWHM)</b>	narrow 14°, medium 29°, wide 38°, elliptical 44° x 12° flood > 100° (no optic) offers the widest distribution		
<b>Efficacy</b>	up to 100 lumens per watt depending on colour temp.		
<b>Power</b>	1.2 watts total including integral VDi™ driver		
<b>VDi™ driver technology</b>	integral low voltage constant current driver can compensate for voltage drop and fluctuations		
<b>Operating Temperature</b>	-20°C to +50°C		
<b>Control</b>	non dimmable		
<b>Power supply</b>	Optimo toroidal transformer 25V AC output can power the following number of luminaires : <b>MLE-OT-100</b> 1 - 80 luminaires <b>MLE-OT-200</b> 1 - 160 luminaires		

#### FINISH OPTIONS



All dimensions shown are in millimetres (mm)

