

### Important !

Please follow instructions carefully. Failure to do so will void warranty. **Please ensure installation complies with local law and applicable standards.**

- Only use a Megabay Optimo transformer or power supply.
- Ensure mains input power is surge protected.
- Never make connections whilst the power is connected.
- Do not make modifications or alter the product.
- Gloves must be worn handling optics
- Keep luminaire clean and free of debris.

**Step 1** Locate and mark position of luminaires. Observing maximum cable distance and transformer load. (Refer to tables).

### Maximum number of Luminaires on a single cable run

Cable Type	100m	50m
1.8mm <sup>2</sup> (AWG 13) cable	10	20
4.0mm <sup>2</sup> (AWG 6) cable	20	40

### Maximum number of Luminaires per Transformer

MLE-OT-100	1 - 20
MLE-OT-200	1 - 40

**Step 2** Run low voltage cable from the transformer to the luminaires.  
**Input voltage range 10V AC ~ 30V AC  
12V DC ~ 32V DC**

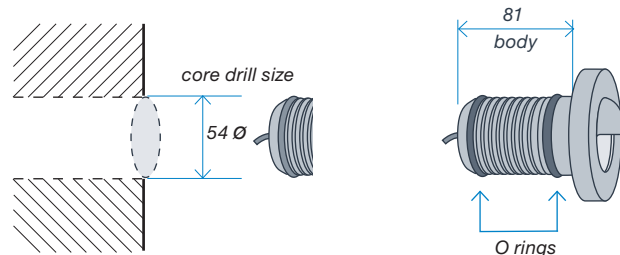
Cable example shown. Consult your cable supplier for detailed voltage drop information.

**Step 3** Use either **CORE DRILL** or **BLOCKOUT** installation method depending on luminaire supplied.

### CORE DRILL Method

#### MLE-OS5Y

Core drill a 54mm  $\varnothing$  hole into surface.  
Position O rings on body and push into core hole.



### BLOCKOUT Method

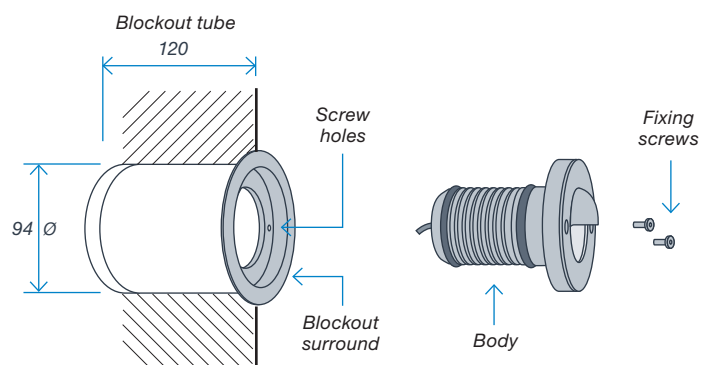
#### MLE-OS5YB

Position the top of the blockout surround at the finished surface level, allowing for any tiles or finishes to be completed.

**Note:** Locate screw hole positions to be level and horizontal.

Pour concrete or similar etc.

Insert body into blockout opening, rotate to align screw holes. Secure luminaire into blockout with fixing screws supplied.



All dimensions shown are in millimetres (mm)

**Step 4** A solder joint insulated with an adhesive lined heat shrink is recommended for long term performance.

**See Page 2 for Wiring & Dimming Schematic**



### Wire Legend

Black AC Power  
Purple AC Power  
Red & White 1-10V DC dimming (+)  
Grey & White 1-10V DC dimming (-)



# Osirion 5 Eye

## INSTALLATION INSTRUCTIONS



ILLUMINATE YOUR WORLD

### Wiring Schematic

220-240V AC mains input



#### Important !

Please follow schematic carefully. Failure to do so will void warranty. Please ensure installation complies with local law and applicable standards.

