

Important !

Please follow instructions carefully. Failure to do so will void warranty. **Please ensure installation complies with local law and applicable standards.**

- Only use a Megabay Optimo transformer or power supply.
- Ensure mains input power is surge protected.
- Never make connections whilst the power is connected.
- Do not make modifications or alter the product.
- Gloves must be worn handling optics
- Keep luminaire clean and free of debris.

Step 1 Locate and mark position of luminaires. Observing maximum cable distance and transformer load. (Refer to tables)

Maximum number of Luminaires on a single cable run

Cable Type	100m	50m
1.8mm ² (AWG 13) cable	5	10
4.0mm ² (AWG 6) cable	10	20

Maximum number of Luminaires per Transformer

MLE-OT-100	1 - 10
MLE-OT-200	1 - 20

Step 2 Run low voltage cable from the transformer to the luminaires.
**Input voltage range 15V AC ~ 30V AC
18V DC ~ 32V DC**

Cable example shown. Consult your cable supplier for detailed voltage drop information.

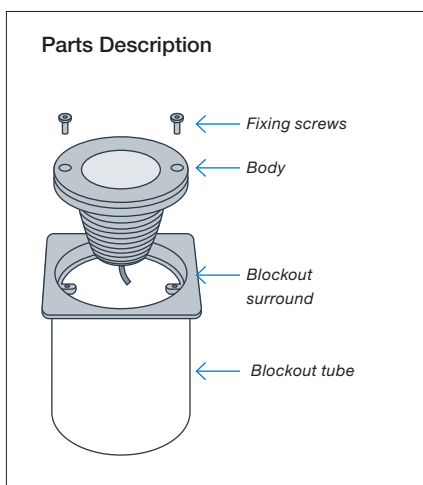
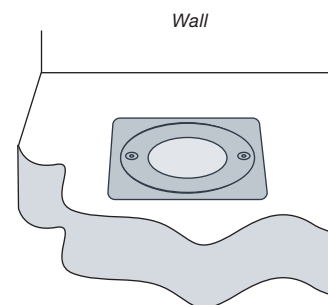
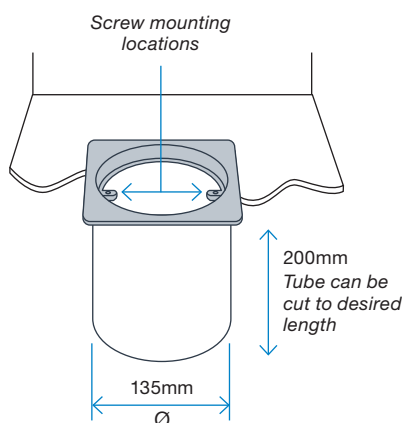
Step 3 **Surface Mounting in Concrete**
Position the top of the blockout surround at the finished surface level, allowing for any tiles or paving to be installed.

Note: Locate screw position to be parallel to wall.

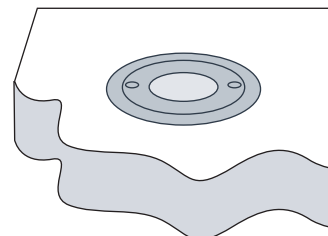
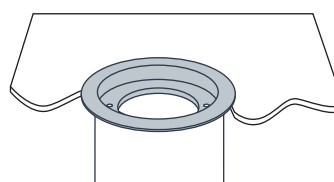
Pour concrete.

Rotate body into position and secure luminaire.

SQUARE Blockout



ROUND Blockout



All dimensions shown are in millimetres (mm)

Step 4 A solder joint insulated with an adhesive lined heat shrink is recommended for long term performance.

See Page 2 for Wiring & Dimming Schematic

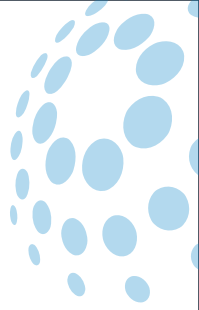


Wire Legend

Black AC Power
Purple AC Power
Red & White 1-10V DC dimming (+)
Grey & White 1-10V DC dimming (-)

Step 5 Insert body into blockout surround and fasten with fixing screws supplied.





Wiring Schematic

220-240V AC mains input



Important !

Please follow schematic carefully. Failure to do so will void warranty. Please ensure installation complies with local law and applicable standards.

